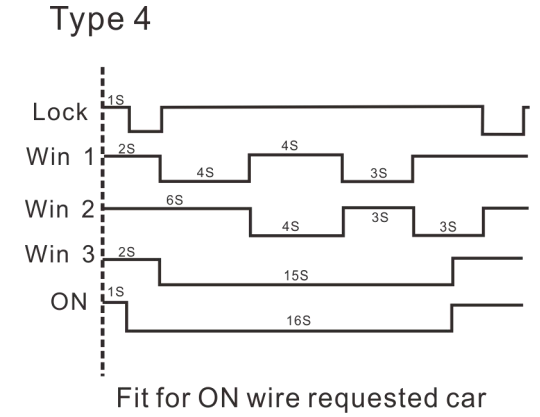
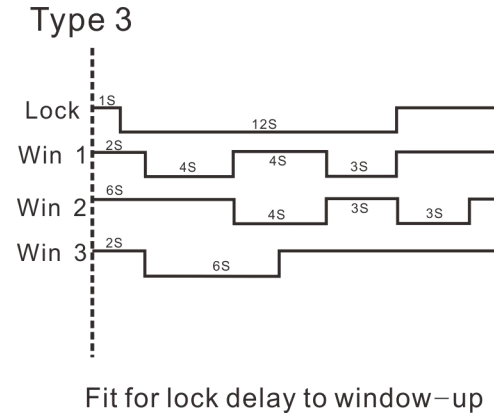
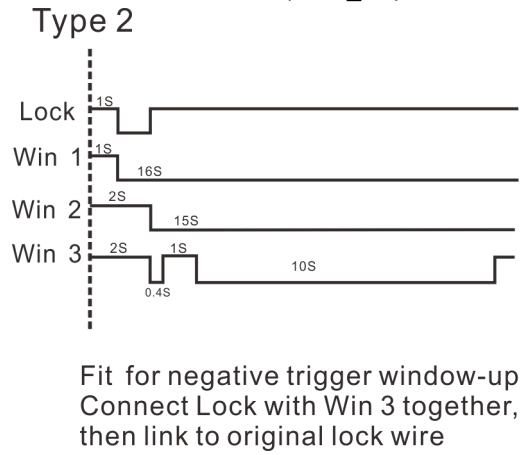
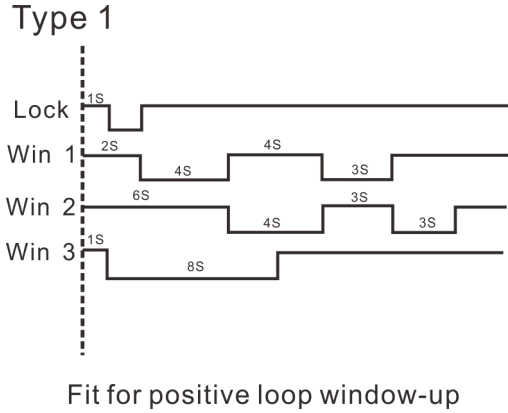
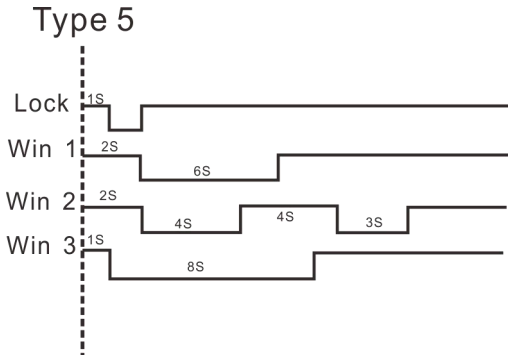
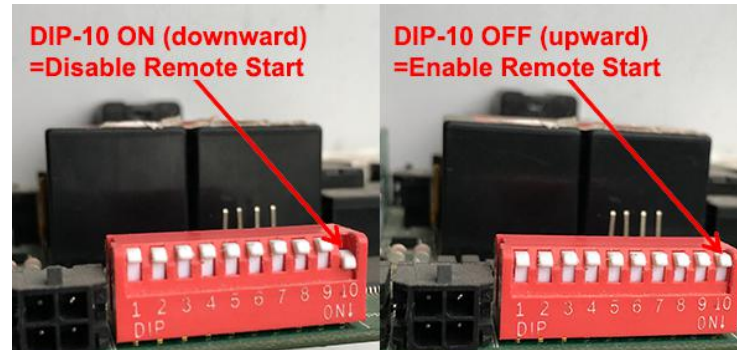


PKE-100 (PCB_V3) Window-Up/Start Sequence DIP settings



DIP 1-7 is for window-up/start sequence.
DIP 10 is for Remote Start.



- Note:**
- Do not change DIP irregularly, that may cause the device damaged.
 - After DIP changed, the device needs power reloaded (unplug & plug cable).

Frequent DIP Sequence								
DIP(1-7)	Description	Sample	ON2 supply when starting	ACC supply when starting	Window Up	ON supply when Window-Up	ON stop supply then LOCK	Unlock Twic
↑ ↓ ↓ ↓ ↑ ↑ ↓ ↓	Common	KIA / HYUNDAI	N	Y	Type 1	N	N	N
↓ ↑ ↑ ↓ ↓ ↑ ↑ ↓	Negative-Trigger Window-Up		N	N	Type 2	N	N	N
↑ ↑ ↑ ↓ ↓ ↑ ↑ ↓	Lock-Delay Window-Up		N	N	Type 3	N	N	N
↑ ↑ ↓ ↓ ↑ ↑ ↓ ↓	--	EC8	Y	N	Type 5	Y	Y	Y
↑ ↑ ↑ ↓ ↑ ↑ ↓ ↓	ON supply 0.5S before Lock	GONOW	N	N	Type 1	Y	N	N
↓ ↓ ↓ ↑ ↑ ↑ ↓ ↓	--	HONDA Series	Y	N	Type 1	N	N	N
↑ ↓ ↓ ↑ ↑ ↑ ↓ ↓	--	TOYOTA Series	N	N	Type 1	N	N	N
↓ ↑ ↓ ↑ ↑ ↑ ↓ ↓	Unlock twice		N	N	Type 1	N	N	Y
↑ ↑ ↓ ↑ ↑ ↑ ↓ ↓	ON supply when Window-Up		N	N	Type 4	Y	Y	N
↓ ↓ ↓ ↑ ↑ ↑ ↓ ↓	ON supply when Window-Up		Y	N	Type 4	Y	Y	N
↑ ↑ ↓ ↑ ↑ ↑ ↓ ↓	Vehicle without fuel circuit		N	N	Type 1	N	N	N